

## UG405DUK



Professional undercounter glasswasher, single skinned, 400 x 400mm basket

Product Family	Dishwashers
Type	Undercounter Glasswasher
Line	ECOLINE
Basket dimensions	400 x 400mm
Outside dimensions (WxDxH)	440 x 530 x 710mm

### TECHNICAL SHEET

#### TECHNICAL DATA

Structure: Single skinned in AISI 304 stainless steel

Required electrics and fuse protection: 1ph 2.6kW 13A

Control type: Electronic soft touch controls

WRAS compliant break tank: Yes

Basket dimensions: 400 x 400mm

Baskets per hour: 40 / 24 / 15

Number of programs: 3

Thermo-acoustic insulation: Door

Rinse aid dispenser: Peristaltic pump with electronic adjustment via the control panel

Detergent dispenser: Peristaltic pump with electronic adjustment via the control panel

Useable loading height: 310mm

Wash tank capacity: 8L

Boiler capacity: 4L

Boiler heating element: 2.3kW 1ph

Wash tank heating element: 2.0kW

Inlet water maximum temperature: 60°C

Outside dimensions (WxDxH): 440 x 530 x 710mm

Power supply / Total power installed: 230V 1N 50Hz / 2.6kW

Weight (net/gross): 40 / 46kg

Integral continuous water softener: no

Wash system: Wash pump with 'Soft start' system

Wash pump: 0.3kW

Rinse system: Atmospheric boiler and rinse pump (HTR system)

Drain system: Drain pump and four stage filter system with partial water exchange in the wash tank

Filtering system: Full width 2 piece plastic top wash tank filter with double stage filtration in the sump and additional micro filter for wash pump protection

Water consumption per cycle: 2.6L

Wash and rinse arms: 2 x combined wash and rinse arms with quick release system

Insulated double skinned door

Selectable: FRESH WATER function for complete wash tank water replacement after each wash cycle

Selectable: EXTENDED-RINSE function for a prolonged rinse

Thermostop for controlling the rinse water temperature

Self-diagnosis system with fault warning

Moulded basket guides

Drain pipe on the boiler for complete drainage

'Stand-by' function of the heating elements during periods of non-use

Connection to water mains with a 3/4 threaded fitting on the back of the appliance

Self cleaning cycle available as standard

Cycle automatically starts when closing the door/hood (optional)

Adjustable feet

## ACCESSORIES

[PB40G01](#) - Plastic universal flat-bottomed basket

[WB40G01](#) - Wire fine-mesh flat-bottomed basket

[WB40G02](#) - Wire basket with angled bottom for stem glasses Ø max 90mm

[PHOOS01](#) - Plastic single cutlery basket

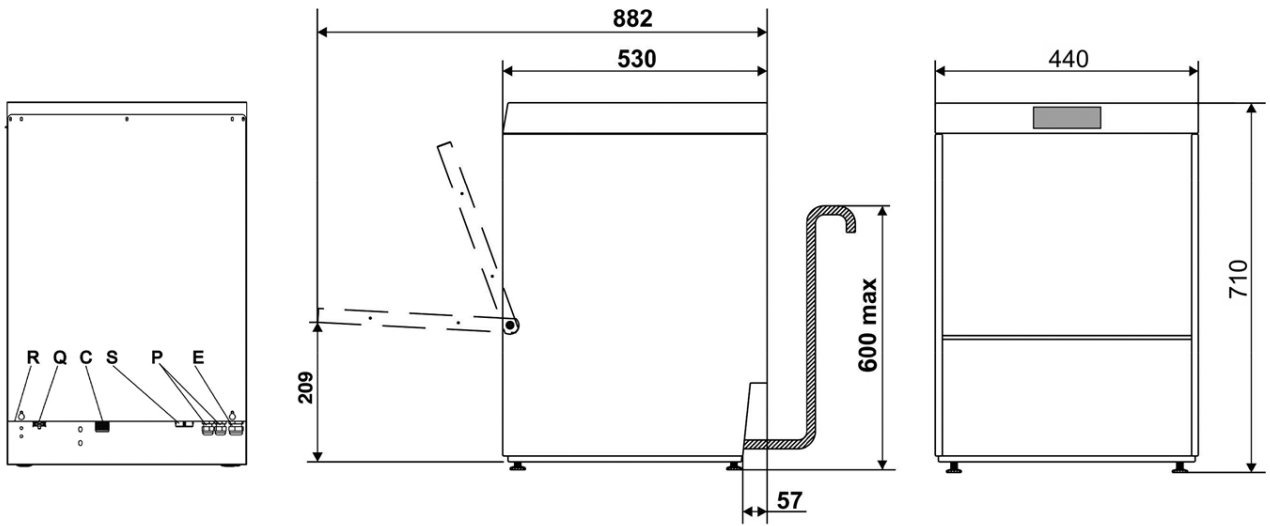
[PHOOS02](#) - Plastic cutlery basket with 6 compartments

[PHOOS03](#) - Plastic cutlery basket with 8 compartments

[WS4](#) - Stand for 400 x 400mm basket glasswasher

## EQUIPMENT

2 [PB40G01](#) - Plastic universal flat-bottomed basket



Q	MORSETTO EQUIPOTENZIALE EARTH TERMINAL
E	CAVO ALIMENTAZIONE ELETTRICA ELECTRICITY SUPPLY CABLE
C	TUBO DI CARICO FILLER HOSE
P	TUBI POMPE PERISTALTICHE PERISTALTIC HOSES
T	ENTRATA CAVO DI ALIMENTAZIONE DOSATORE ESTERNO EXTERNAL DISPENSER POWER CABLE ENTRY POINT
S	TUBO DI SCARICO DRAIN HOSE
R	PANNELLO RETRO LOWER BACK PANEL